

BEST AVAILABLE COPY



Fig.5

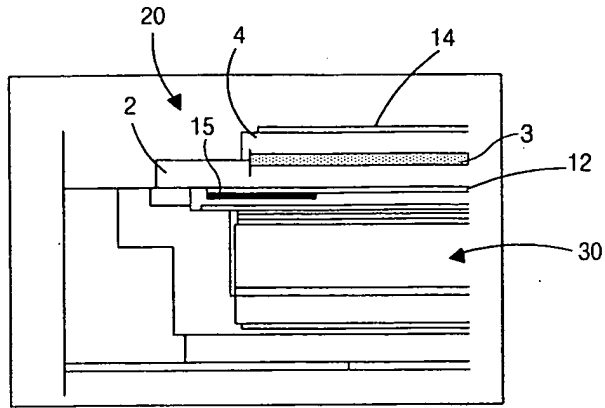


Fig.6

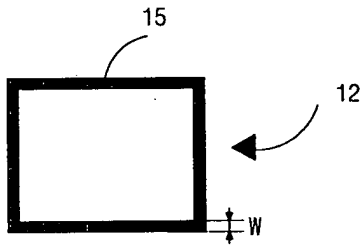


Fig.7

